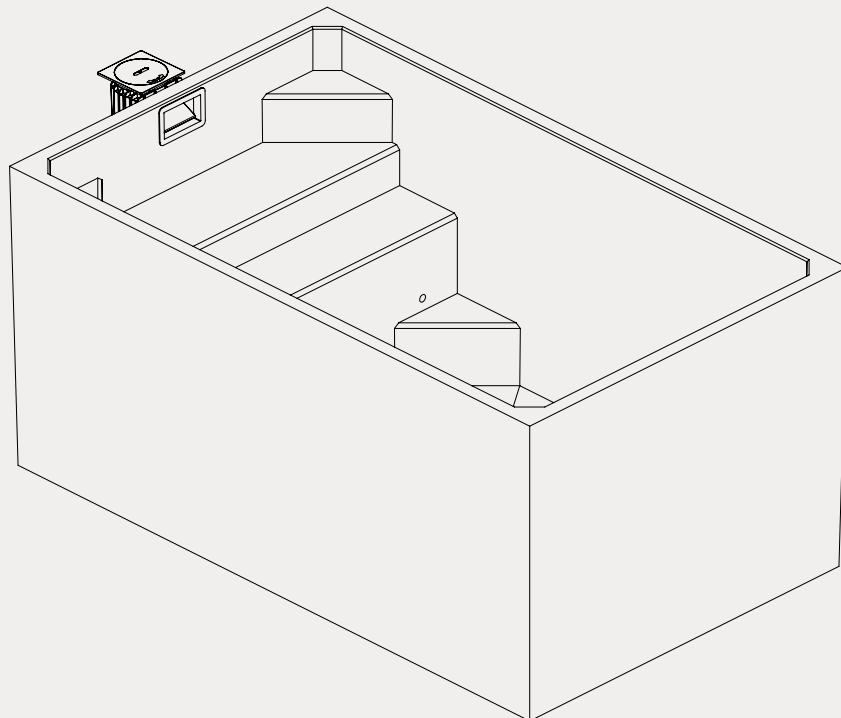


PLUNGIE SPECIFICATIONS

Plungie Studio

Specifications + Dimensions



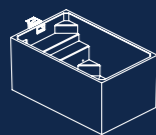


Download our BIM content library including Autocad, Revit and Archicad.

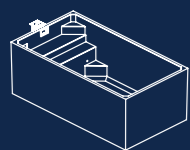
Plungie BIM solutions have been developed to industry best practices – enabling you to easily and efficiently plan, design and specify a pool into your next design.



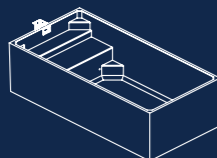
Plungie **Arena**
3.5m diameter



Plungie **Studio**
3.6m x 2.2m



Plungie **Original**
4.6m x 2.5m

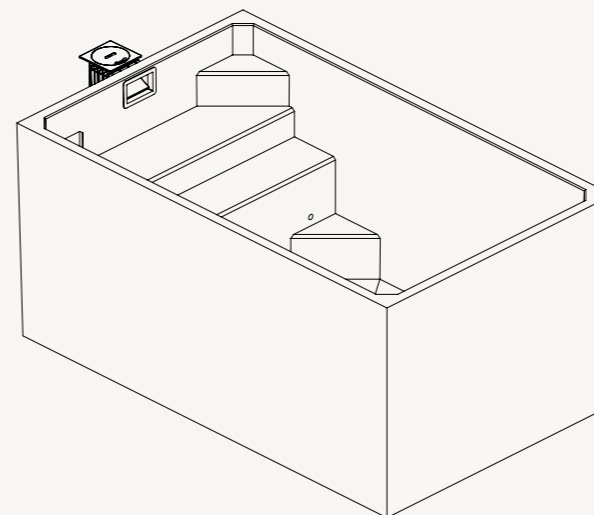


Plungie **Max**
6m x 3m

Whilst Plungie Pty Ltd has made every effort to ensure the accuracy and effectiveness of this information, we make no representation as to the accuracy or effectiveness of the information and take no responsibility for any loss, damage or injury which may be caused as a direct or indirect result of the use of this information.

Plungie Studio

3.6m x 2.2m



The sophisticated and sleek design of the Plungie Studio leaves nothing to wish for!

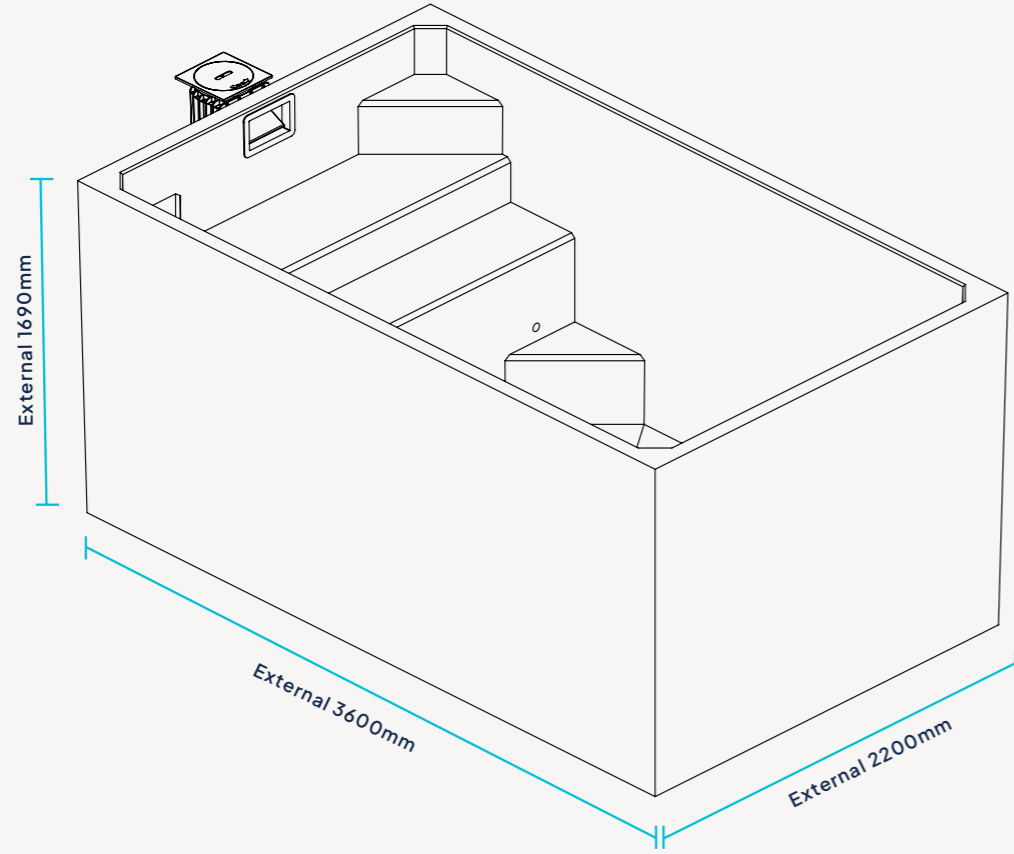
We've designed the Plungie Studio with smaller spaces in mind, making it an excellent choice for front yards and inner-city living. With two metres of bench space to lounge on, the Plungie Studio will become your new favourite spot to enjoy a sunny day!

INCLUSIONS

- Highly engineered concrete pool shell
- High performance ecoFinish interior
- Spa electrics multi-coloured LED light
- Poolrite innoSkim skimmer box
- Pre-fitted hydrostatic valve
- Two (2) pre-plumbed returns
- 10 year structural warranty and internal ecoFinish warranty

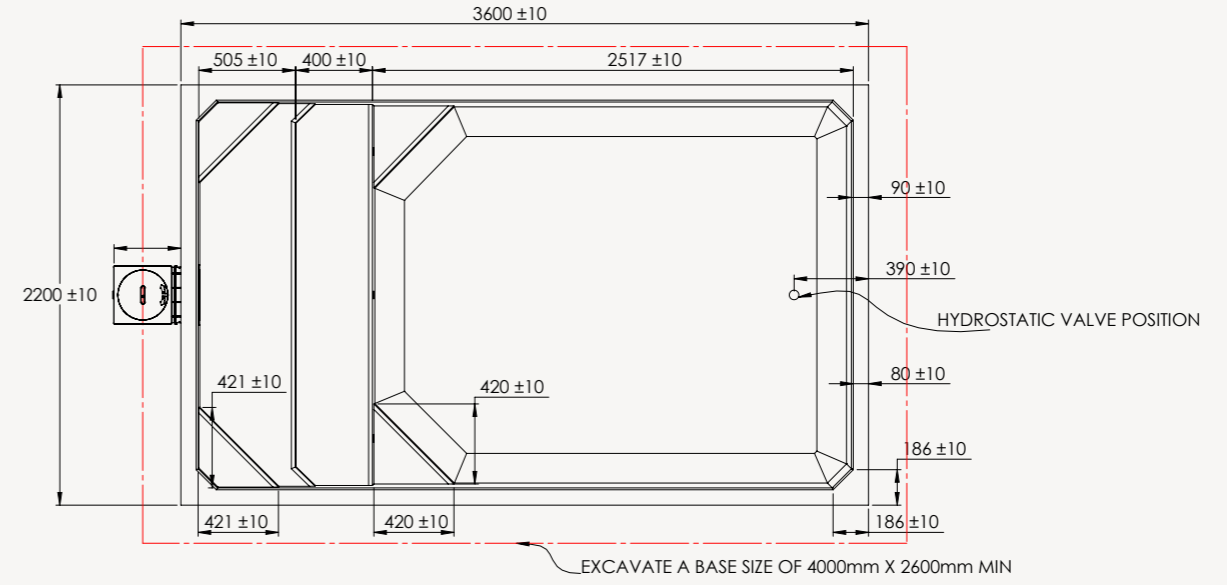


View the Studio online



| | | |
|-------------|-----------------|-----------------|
| Length | External 3600mm | Internal 3420mm |
| Width | External 2200mm | Internal 2020mm |
| Height | External 1690mm | Internal 1590mm |
| Volume | 8,000 L | |
| Dry Weight | 6,800 Kg | |
| Wet Weight | 14,800 Kg | |
| Bench Space | 2m ² | |

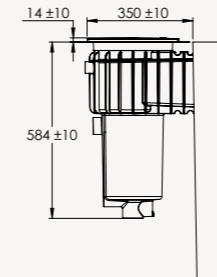
DIMENSIONS



SKIMMER BOX

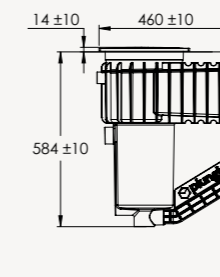
SIDE ELEVATION

For Plungies delivered prior to 1st Oct 2024 please refer to the below for skimmer box dimensions.



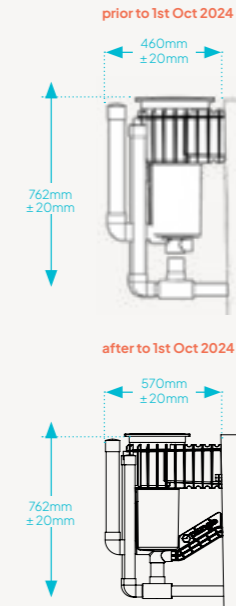
SIDE ELEVATION

For Plungies delivered after 1st Oct 2024 please refer to the below for skimmer box dimensions.

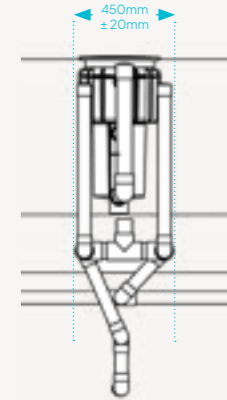


SKIMMER BOX WITH PLUMBING

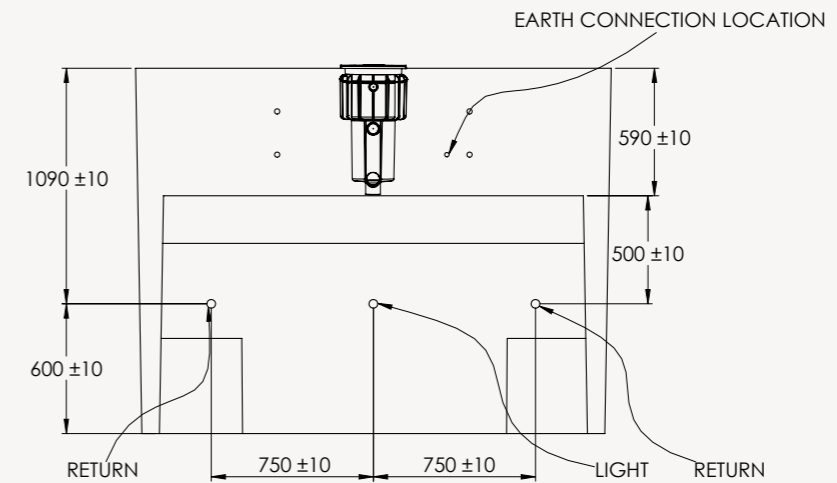
SIDE ELEVATION



FRONT ELEVATION



SKIMMER / STEP END VIEW





www.plungie.com
1300 PLUNGIE (758 644)