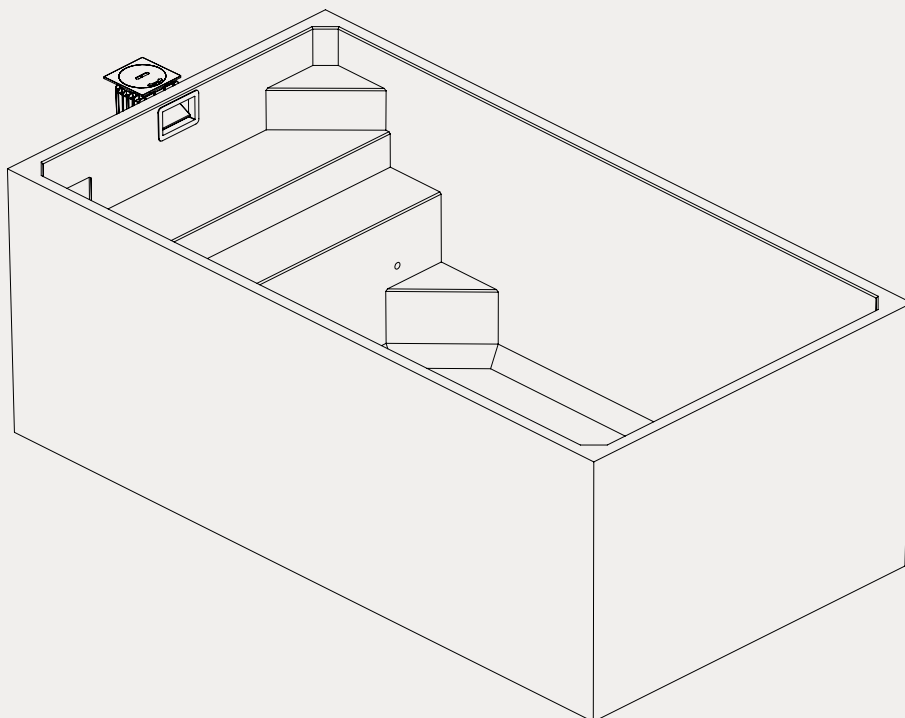


PLUNGIE SPECIFICATIONS

# Plungie Original

Specifications + Dimensions



V 3.0

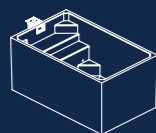


Download our BIM content library including Autocad, Revit and Archicad.

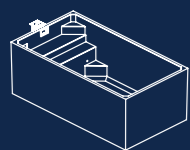
Plungie BIM solutions have been developed to industry best practices – enabling you to easily and efficiently plan, design and specify a pool into your next design.



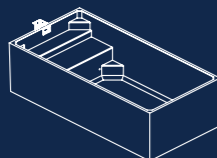
Plungie **Arena**  
3.5m diameter



Plungie **Studio**  
3.6m x 2.2m



Plungie **Original**  
4.6m x 2.5m

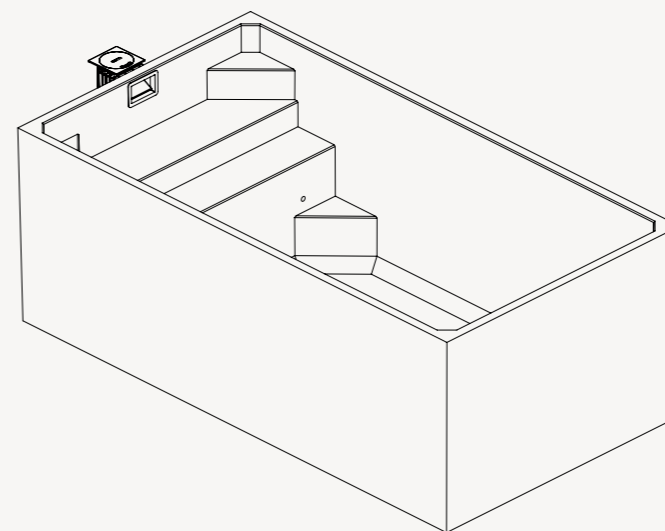


Plungie **Max**  
6m x 3m

Whilst Plungie Pty Ltd has made every effort to ensure the accuracy and effectiveness of this information, we make no representation as to the accuracy or effectiveness of the information and take no responsibility for any loss, damage or injury which may be caused as a direct or indirect result of the use of this information.

# Plungie Original

4.6m x 2.5m



The Plungie Original is our most popular pre-cast concrete pool and has found its way into the backyards of many Aussie homes.

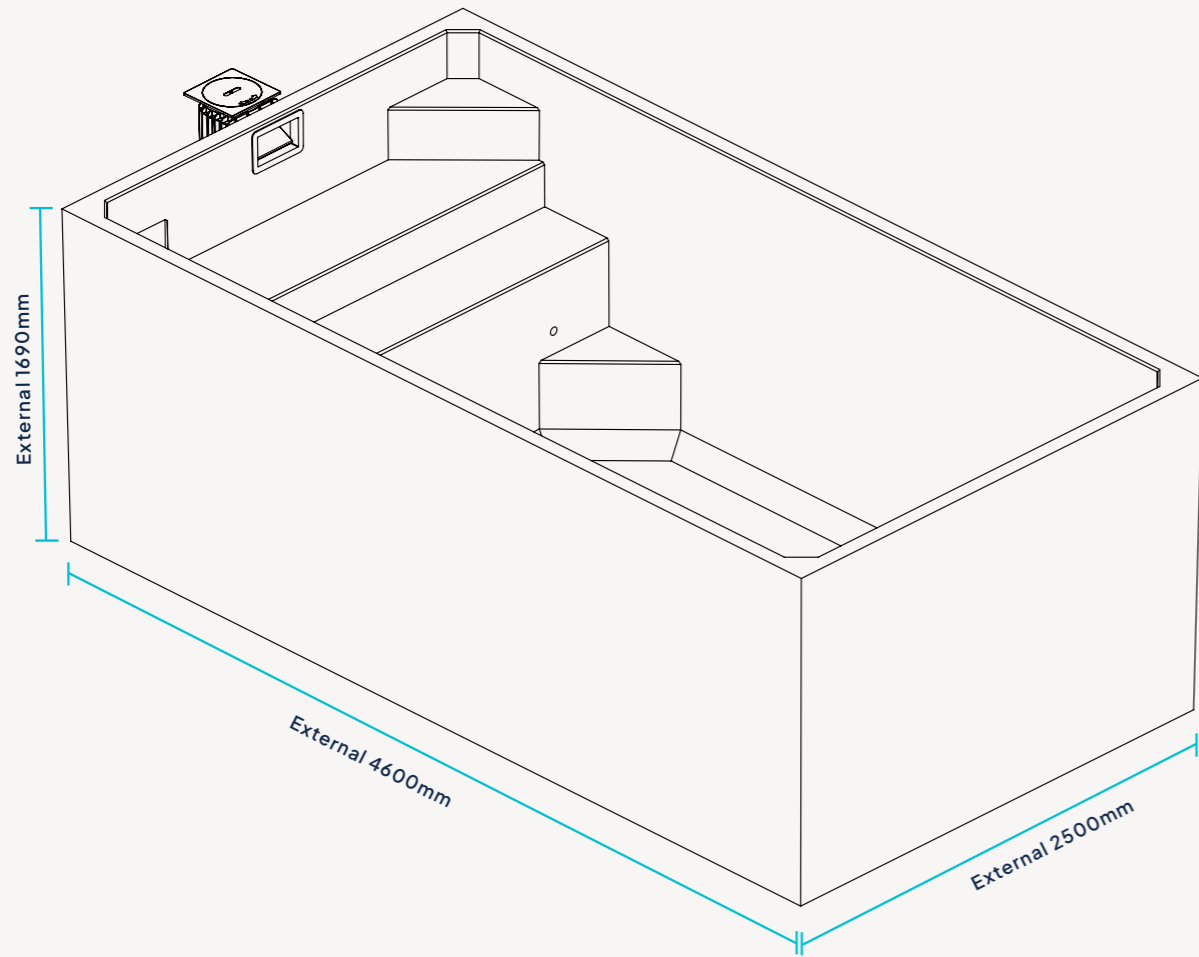
Tried and tested, the Plungie Original adds instant appeal to your home, encouraging you and your family to spend more time outdoors and enjoy a warm, sunny day! With more than 2.2m of bench space and a generous 4.6m in length, the Plungie Original is nothing short of poolside perfection.

## INCLUSIONS

- Highly engineered concrete pool shell
- High performance ecoFinish interior
- Spa electrics multi-coloured LED light
- Poolrite innoSkim skimmer box
- Pre-fitted hydrostatic valve
- Two (2) pre-plumbed returns
- 10 year structural warranty and internal ecoFinish warranty

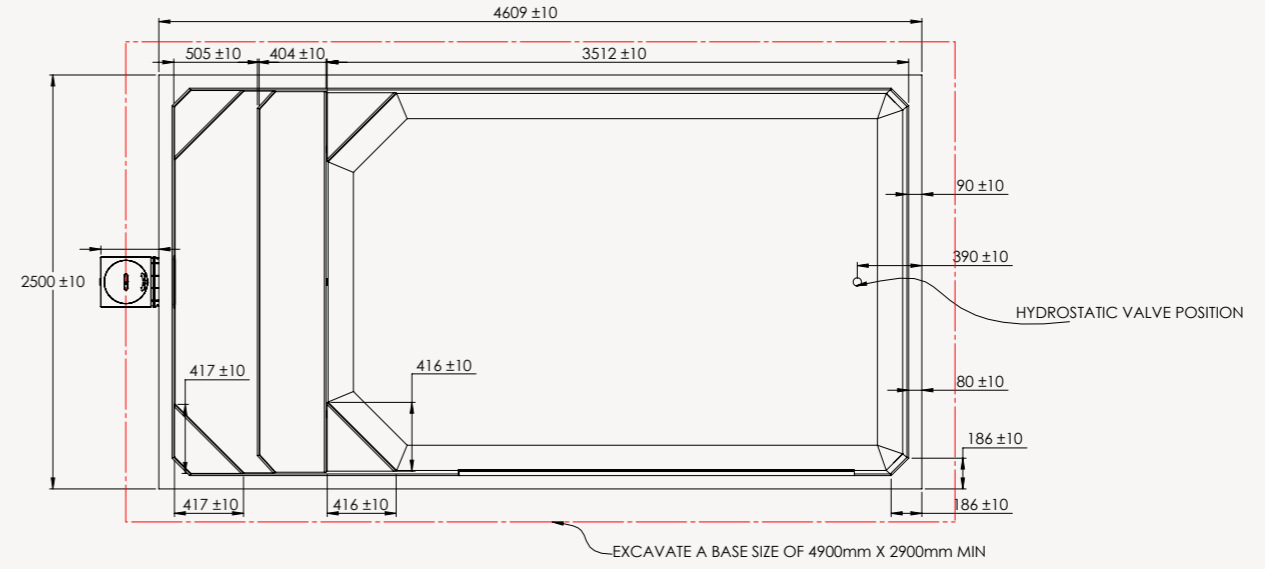


View the Original online



|             |                   |                 |
|-------------|-------------------|-----------------|
| Length      | External 4600 mm  | Internal 4420mm |
| Width       | External 2500mm   | Internal 2320mm |
| Height      | External 1690mm   | Internal 1590mm |
| Volume      | 14,000 L          |                 |
| Dry Weight  | 8,600 Kg          |                 |
| Wet Weight  | 22,600 Kg         |                 |
| Bench Space | 2.2m <sup>2</sup> |                 |

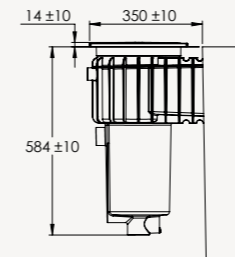
**DIMENSIONS**



**SKIMMER BOX**

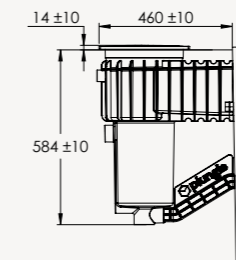
SIDE ELEVATION

For Plungies delivered prior to 1st Oct 2024 please refer to the below for skimmer box dimensions.



SIDE ELEVATION

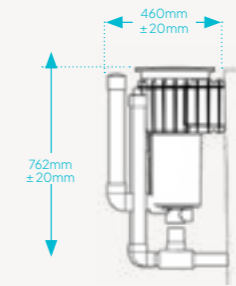
For Plungies delivered after 1st Oct 2024 please refer to the below for skimmer box dimensions.



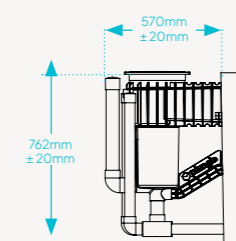
**SKIMMER BOX WITH PLUMBING**

SIDE ELEVATION

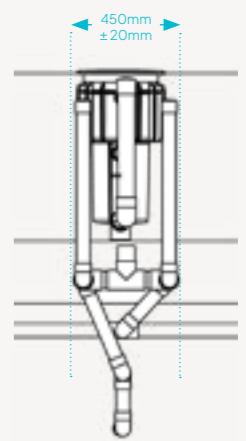
prior to 1st Oct 2024



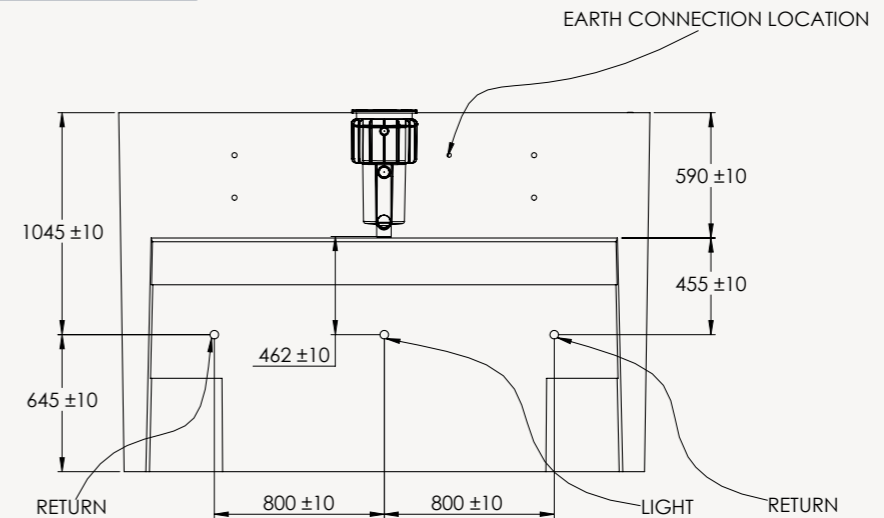
after 1st Oct 2024



FRONT ELEVATION



**SKIMMER / STEP END VIEW**





[www.plungie.com](http://www.plungie.com)  
1300 PLUNGIE (758 644)